

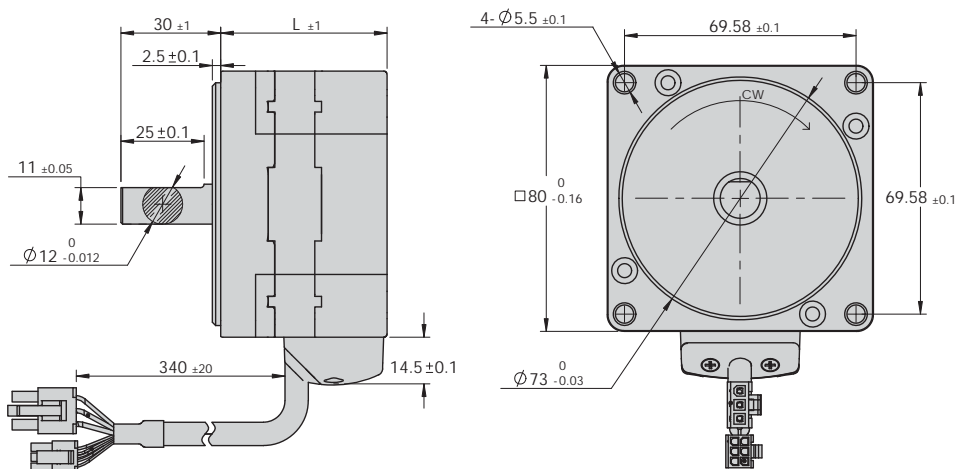
80 BLDC Motor

Technical Specification

	Units	Type				
		80BL100L2	80BL100L4	80BL200L2	80BL200L4	80BL300L4
Long	mm	50	50	67	67	84
Input power	VDC	24	48	24	48	48
Rated power	W	100	100	200	200	300
Phase number		3				
Rated speed	RPM	4000	4000	4000	4000	4000
Max. speed	RPM	4500	4500	4500	4500	4500
Rated torque	Nm	0.24	0.24	0.48	0.48	0.72
Max. torque	Nm	0.48	0.48	0.96	0.96	1.44
Rated current	A	5.00	2.43	10.10	5.06	7.49
Max. current	A	10.00	4.86	20.20	10.12	14.98
Voltage constant	Vrms/Krpm	3.44	6.88	3.38	6.76	7.03
Torque constant	Nm/Arms	0.048	0.099	0.048	0.095	0.096
Moment of inertia	10 ⁻⁴ kgm ²	0.38	0.38	0.74	0.74	1.08
Resistance	Ω	0.18	0.71	0.10	0.32	0.23
Inductance	mH	0.34	1.35	0.18	0.70	0.95
Sensor		Hall				
Ins.class		E				
Protective rating		IP40				
Operating temperature		0~ + 50°C				
Storage temperature		-25~+70°C				
Operating RH		85% RH or below (noncondensing))				
Operating environment		Outdoor (no direct sunlight), no corrosive gas, no flammable gas, no oil mist, no dust				
Altitude		1000m or below				

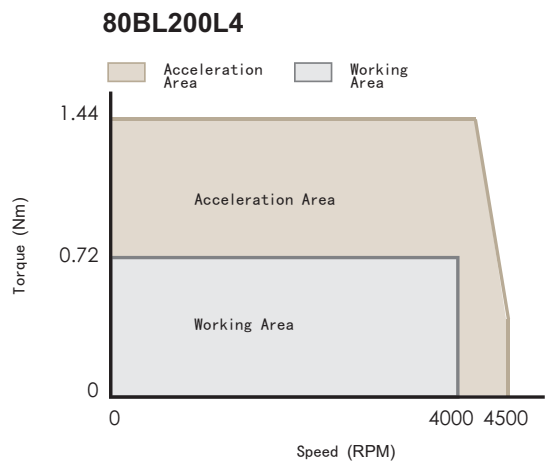
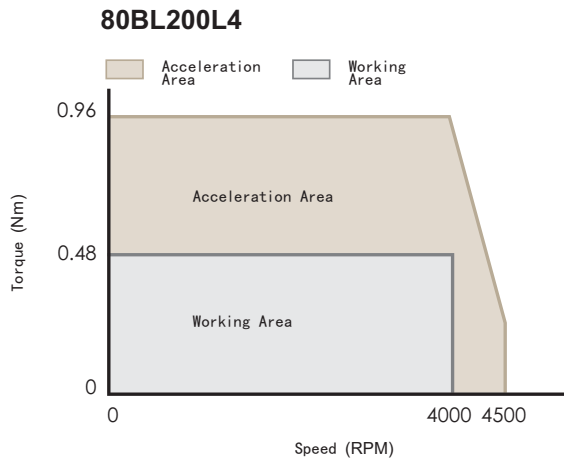
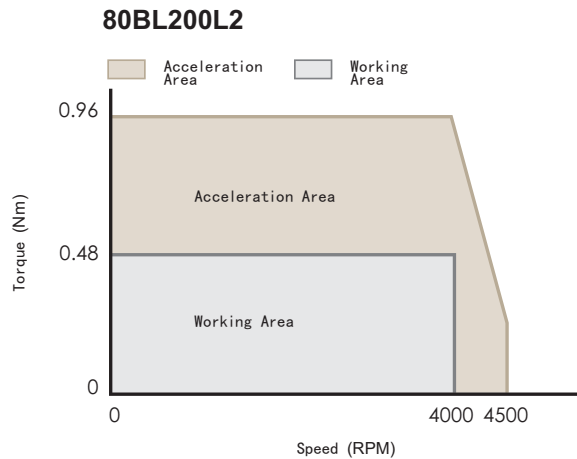
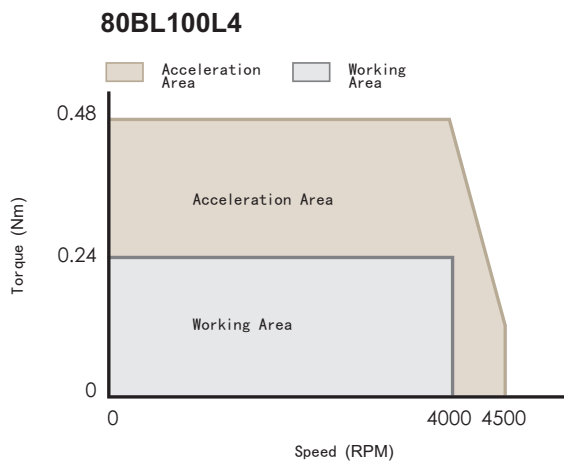
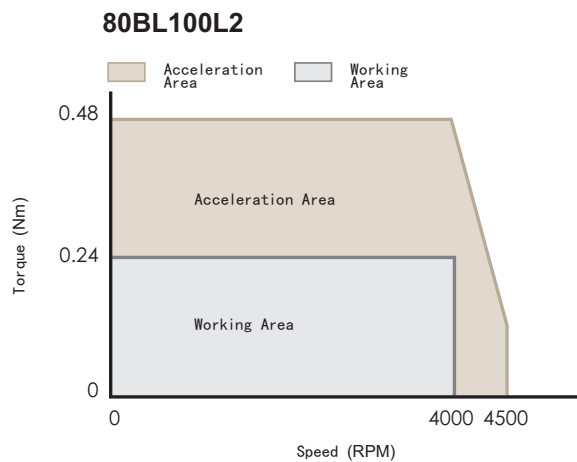
Mechanical Dimension

Series	L
	mm
80BL100	50
80BL200	67
80BL300	84



Unit: mm

Torque - Speed Features



Introduction of BLDC Motors

42 BLDC Motors

57 BLDC Motors

80 BLDC Motors

Introduction of BLDC Geared Motors

MGB042 - □A

MGB060 - □A

MGB080 - □A

Termination Specification